

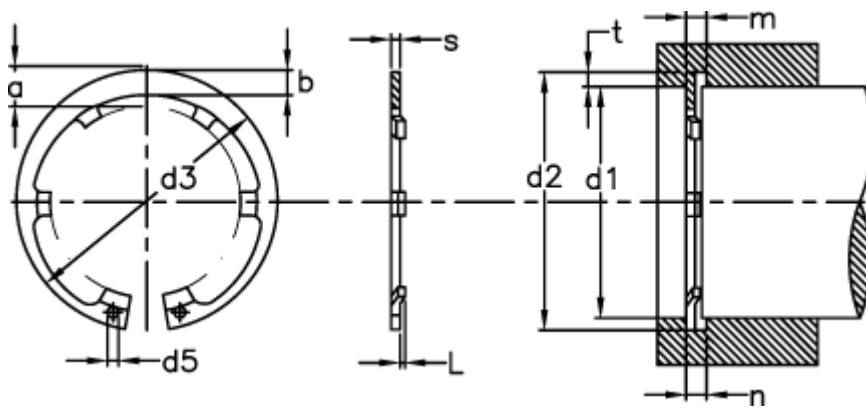
# Data Sheet



Article number: 0121064

Description: Retaining ring JL 47X1,75  
Spring steel

## Measures



a max	= 7.2	FL max kN	= 1.07	s	= 1.75
b	= 4.5	FN kN	= 31.4	tol	= 0.25
C kN/mm	= 2.39	FRg kN	= 8.30	tol	= +1,10 -0,46
d1	= 47	FR kN	= 43.50	u	= 0.10
d2	= 49.5	g	= 2.0		
d3	= 50.5	L min	= 0.55		
d5 min	= 2.5	m min	= 1.85		
Description	= AL 47	Nominal drive	= 3.8		